

CARBON STEEL GATE VALVE FLANGED CLASS 150 PN20 TRIM8

Carbon steel gate valve TRIM8 flanged Class 150 PN20 full bore for water distribution, gas oil, steam, petrochemical, petroleum industry and gas.

Rising non rotating stem with flexible one piece wedge.

Graphite packing for stem and gasket bonnet in stainless steel+graphite.

Gate valve with fire safe certificate API 6FA to reduce risks in case of fire.

Compatible with explosive atmosphere, ATEX Zone 1&21 and Zone 2&22.



Size : DN50 à DN600 (NPS 2" to 24")

Connection : Flanges RF Class 150 PN20

Min Temperature : -29°C

Max Temperature : +425°C

Max Pressure : 20 Bars

Specifications : Rising non rotating stem

Bolted bonnet and packing

Full bore, Fire safe API 6FA

Materials : Carbon steel ASTM A216 WCB

CARBON STEEL GATE VALVE FLANGED CLASS 150 PN20 TRIM8

SPECIFICATIONS :

- Full bore
- Fire safe API 6FA
- Rising, non-rotating stem
- Fixed non rising handwheel
- Flexible one piece wedge
- Flanges R.F. Class 150 (PN20)
- Carbon steel body
- Bolted bonnet and gland pack
- ½ stellite (Trim 8 , seat with stellite)
- Acrylic grey painting RAL 7001 color, 60 µm thickness

USE :

- Water distribution, gas oil, steam, petrochemical, petroleum industry, gas
- Min and max Temperature Ts : - 29°C to + 425°C
- Max Pressure Ps : 20 bars
- **Do not use with scraper**
- **Tighten the gland packing in service**

FLOW COEFFICIENT Kvs :

DN (mm)	50	65	80	100	125	150	200	250	300	350	400	450	500	600
NPS (")	2"	2"1/2	3"	4"	5"	6"	8"	10"	12"	14"	16"	18"	20"	24"
Kvs	265	423	614	1124	1807	2690	4940	7720	11540	14070	18650	24800	30900	50000

TORQUE VALUE (in Nm without safety coefficient) :

DN	50	65	80	100	125	150	200	250	300	350	400	450	500	600
NPS (")	2"	2"1/2	3"	4"	5"	6"	8"	10"	12"	14"	16"	18"	20"	24"
Torque (Nm)	70	68	69	114	135	200	220	300	340	430	450	1168	1465	2175

GEARBOX SPECIFICATIONS :

DN	400	450	500	600
NPS (")	16"	18"	20"	24"
Input Torque (Nm)	300	310	350	500

NUMBER OF CYCLES TO CLOSE OR OPEN THE VALVE :

DN	50	65	80	100	125	150	200	250	300	350	400	450	500	600
NPS (")	2"	2"1/2	3"	4"	5"	6"	8"	10"	12"	14"	16"	18"	20"	24"
Nb of cycles	15	20	18	23	28	33	38	45	55	60	52	58	64	68

CARBON STEEL GATE VALVE FLANGED CLASS 150 PN20 TRIM8

PRESSURE / TEMPERATURE RELATION :

(According to AMSE B16-34 for A216 WCB)

Pressure (Bar)	19.6	19.6	17.9	15.8	13.8	11.7	9.6	8.6	7.6	6.5	5.5
Temperature (°C)	-29	38	93	149	204	260	316	343	371	399	425

PRESSURE / TEMPERATURE GRAPH :

Pressure

(Bar)

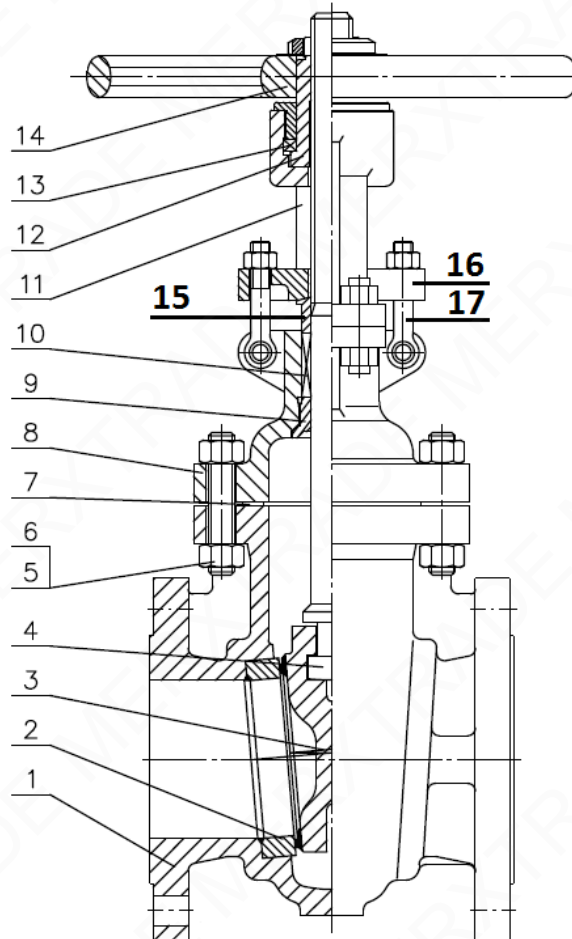


RANGE :

- Carbon steel gate valve with flanges R.F. Class 150 (PN20) **Ref. 143** From DN 50 to DN 350 (from NPS 2" to 14")
- Carbon steel gate valve with flanges R.F. Class 150 (PN20) with gearbox **Ref. 143** DN 400 to 600 (from NPS 16" to 24")

CARBON STEEL GATE VALVE FLANGED CLASS 150 PN20 TRIM8

MATERIALS DN50-350 (NPS 2" to 14") :

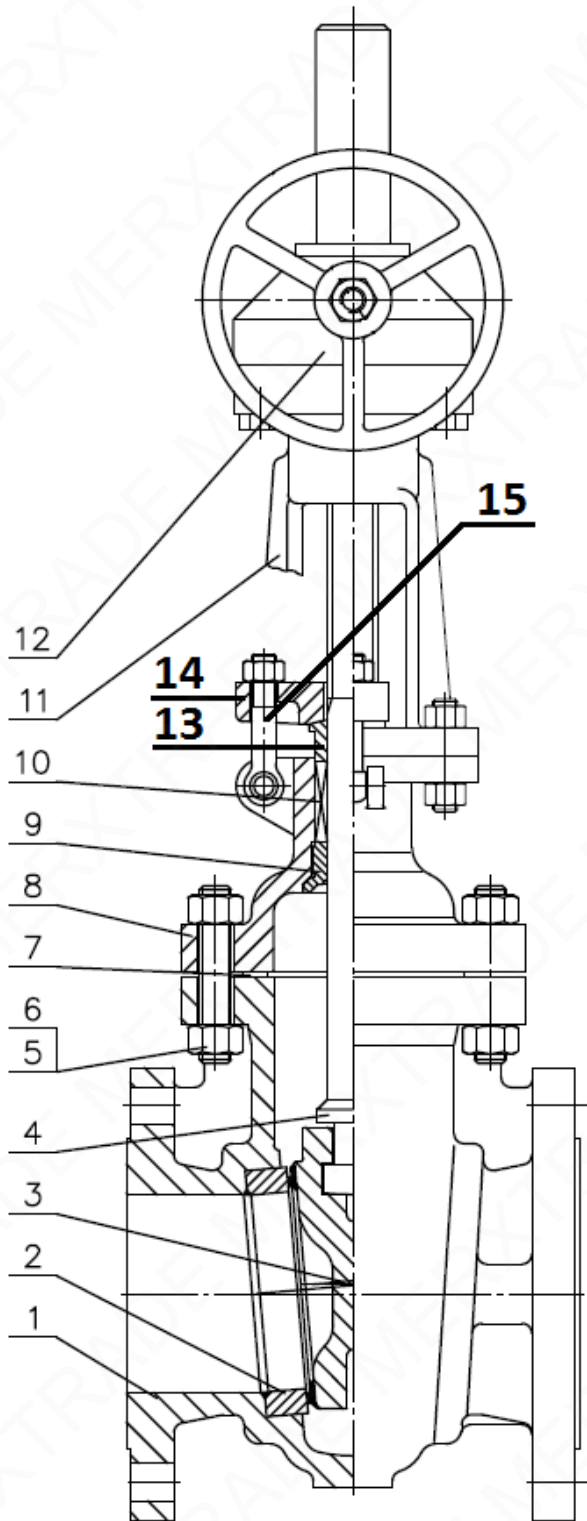


(* : included in gaskets kit , item 13 included only from DN150 to 350)

Item	Designation	Materials
1	Body	ASTM A216 WCB
2	Seat	ASTM A105 + Stellite Gr.6
3	Wedge	ASTM A216 WCB + 13Cr
4	Stem	ASTM A182 F6a
5	Stud bolt	ASTM A193 Gr B7
6	Nut	ASTM A194 Gr 2H
7*	Bonnet gasket	AISI 304 + graphite
8	Bonnet	ASTM A216 WCB
9	Back seat bushing	ASTM A276-420
10*	Packing	Flexible graphite
11	Yoke	ASTM A216 WCB
12	Stem nut	Aluminium + Bronze
13*	Ring	E51100
14	Handwheel	Cast iron
15	Packing gland	ASTM A276-420
16	Gland flange	ASTM A216 WCB
17	Gland bolting	Steel GB/T 699 Grade 45

CARBON STEEL GATE VALVE FLANGED CLASS 150 PN20 TRIM8

MATERIALS FROM DN400 to 600 (NPS 16" to 24") :

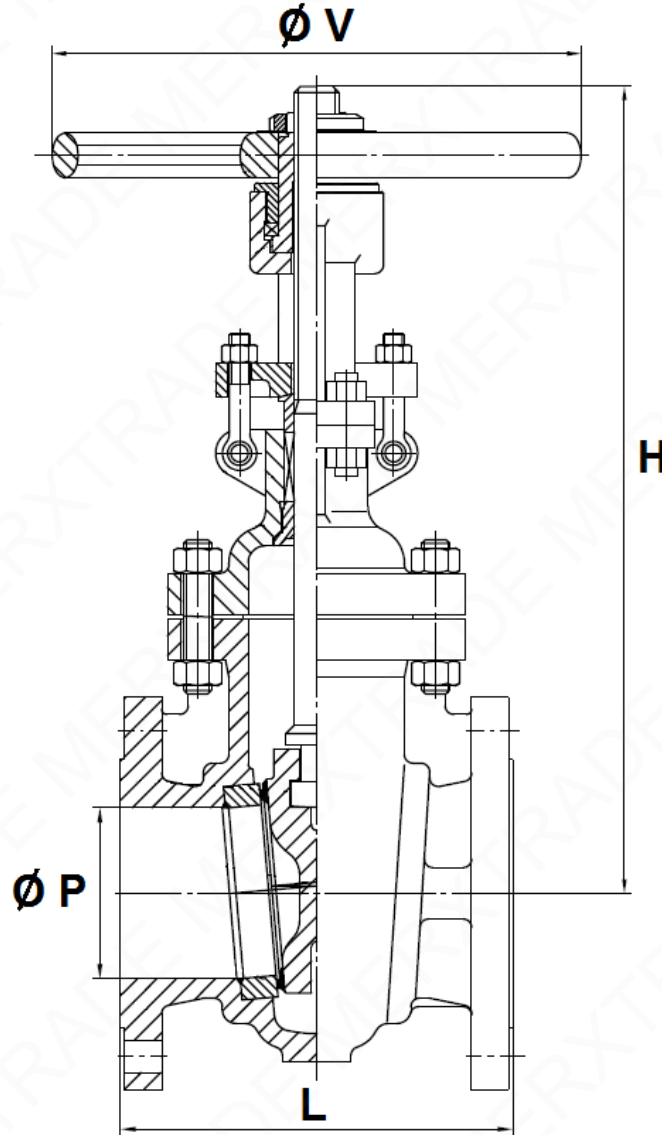


Item	Designation	Materials
1	Body	ASTM A216 WCB
2	Seat	ASTM A105 + Stellite Gr.6
3	Wedge	ASTM A216 WCB + 13Cr
4	Stem	ASTM A182 F6a
5	Stud Bolt	ASTM A193 Gr B7
6	Nut	ASTM A194 Gr 2H
7*	Bonnet gasket	AISI 304 + graphite
8	Bonnet	ASTM A216 WCB
9	Back seat bushing	ASTM A276-420
10*	Packing	Flexible graphite
11	Yoke	ASTM A216 WCB
12	Gearbox	-
13	Packing gland	ASTM A276-420
14	Gland flange	ASTM A216 WCB
15	Gland bolting	Steel GB/T 699 Grade 45

(* : included in gaskets kit)

CARBON STEEL GATE VALVE FLANGED CLASS 150 PN20 TRIM8

SIZE DN 50-350 (NPS 2"-14") (in mm) :

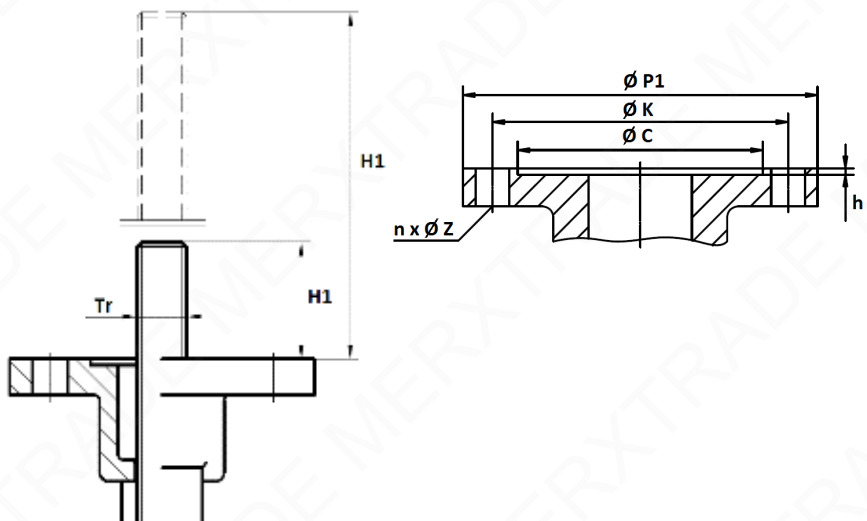
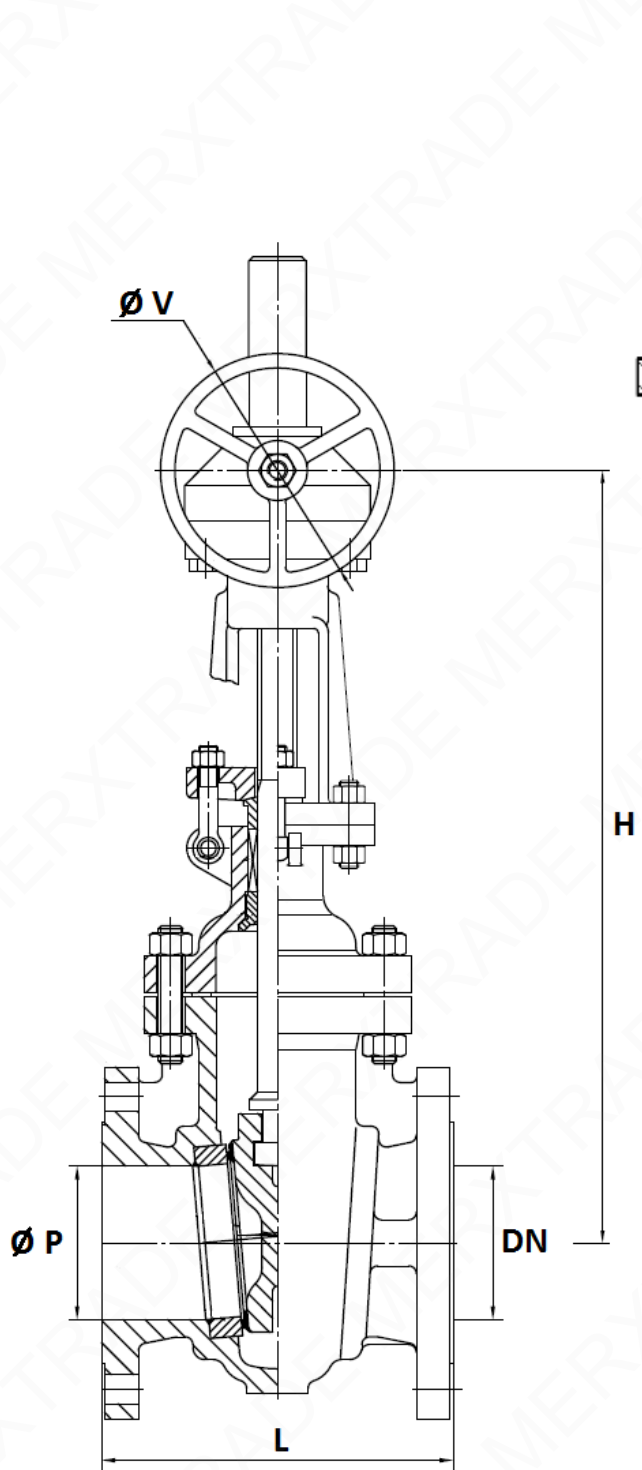


DN (mm)	50	65	80	100	125	150	200	250	300	350
NPS (")	2"	2"1/2	3"	4"	5"	6"	8"	10"	12"	14"
Ø P	51	63.5	76	102	127	152	203	254	305	334
L	178	191	203	229	254	267	292	330	356	381
H (opened)	410	470	500	581	690	745	971	1160	1376	1508
H (closed)	355	390	421	479	550	593	768	905	1071	1185
Ø V	200	240	240	300	350	350	400	400	500	600
Weight (Kg)	18	23.2	31	45	69	76	127	176	281	330
Ref.	143050	143065	143080	143100	143125	143150	143200	143250	143300	143350

CARBON STEEL GATE VALVE FLANGED CLASS 150 PN20 TRIM8

SIZE DN 400-600 (NPS 16"-24") (in mm) :

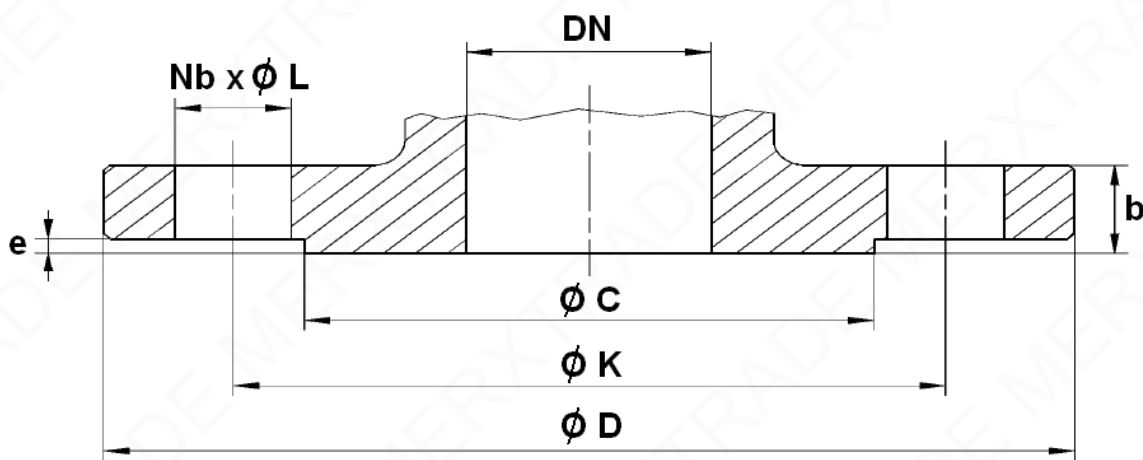
PLATE AND STEM SIZE :



DN (mm)	400	450	500	600
NPS (")	16"	18"	20"	24"
Ø P	388	439	489	591
L	406	432	457	508
H	1335	1520	1650	1925
Ø V	460	530	530	530
Ø P1	280	340	340	340
Ø K	245	300	300	298
Ø C	200	230	230	230
n x Ø Z	8 x Ø 16	8 x Ø 22	8 x Ø 22	8 x Ø 22
h	6	6	6	6
Tr	Tr44x8LH	Tr48x8LH	Tr50x8LH	Tr60x9LH
H1 (closed)	100	120	135	135
H1 (opened)	510	590	645	755
Weight (in Kg)	505	720	920	1172
Ref.	143400	143450	143500	143600

CARBON STEEL GATE VALVE FLANGED CLASS 150 PN20 TRIM8

FLANGES SIZE (in mm) :



DN (mm)	50	65	80	100	125	150	200	250	300	350	400	450	500	600
NPS (")	2"	2"1/2	3"	4"	5"	6"	8"	10"	12"	14"	16"	18"	20"	24"
Ø C	92.1	104.8	127	157.2	185.7	215.9	269.9	323.8	381	412.8	469.9	533.4	584.2	692.2
Ø D	150	180	190	230	255	280	345	405	485	535	595	635	700	815
Ø K	120.7	139.7	152.4	190.5	215.9	241.3	298.5	362	431.8	476.3	539.8	577.9	635	749.3
Nb x Ø L	4 x 19	4 x 19	4 x 19	8 x 19	8 x 22	8 x 22	8 x 22	12 x 26	12 x 26	12 x 29	16 x 29	16 x 32	20 x 32	20 x 35
b	16.3	17.9	19.5	24.3	24.3	25.9	29	30.6	32.2	35.4	37	40.1	43.3	48.1
e	2	2	2	2	2	2	2	2	2	2	2	2	2	2

CARBON STEEL GATE VALVE FLANGED CLASS 150 PN20 TRIM8

STANDARDS :

- Manufacturer certified ISO 9001 : 2015 and ISO 14001 : 2015
- DIRECTIVE 2014/68/EU : CE N° 0036
Risk category III Module H
- Certificate 3.1 on request
- Designing according to API 600
- Pressure Tests according to API 598, table 6
- Length according to ASME B16.10, table 1 A8 series and EN 558 series 3
- Flanges R.F. according to ASME B16.05 Class 150
- Fire safe according to API SPEC 6FA 3th edition 04-1999
- ATEX Group II Category 2 G/2D Zone 1 & 21 Zone 2 & 22 (optional marking) according to directive 2014/34/EU
- Materials according to NACE MR 01-75 **on request**

ADVICE : Our opinion and our advice are not guaranteed and MERXTRADE shall not be liable for the consequences of damages. The customer must check the right choice of the products with the real service conditions.